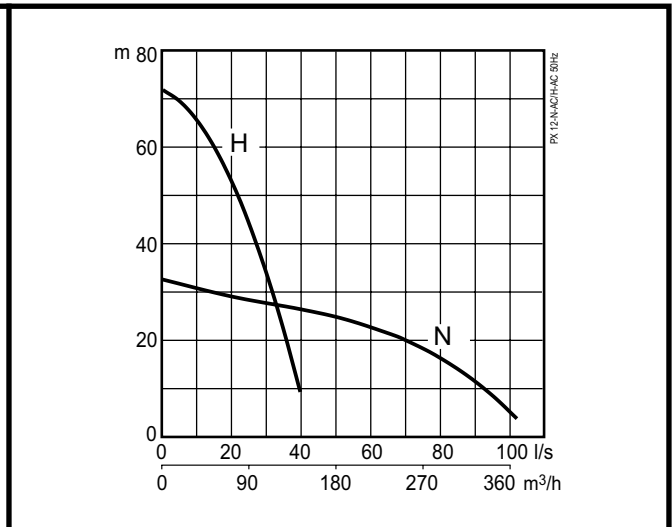
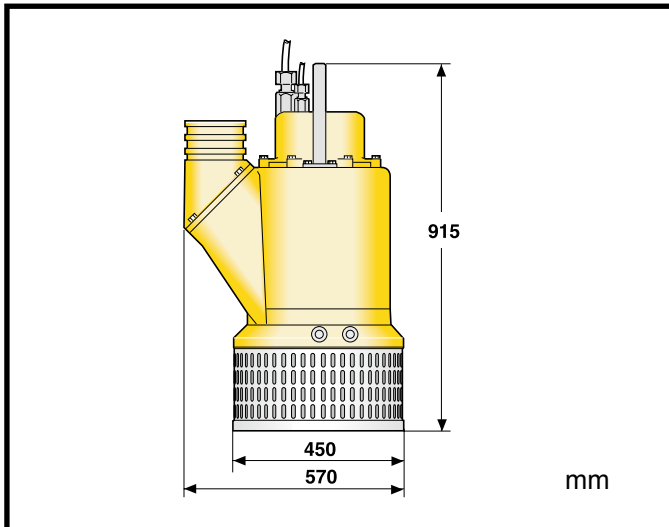


Submersible drainage pump

PX 12

50 Hz



Specification

Electric submersible pump.
 Maximum submergence: 20 m. Protection class IP 68.
 Max temperature of pumped medium at max power input and continuous duty 40°C.
 Max medium density 1100 kg/m³, pH of the pumped medium 5-8.
 Strainer hole 8 x 34 mm. Max number of starts 30/hour.

Pump Types

PX 12 N Medium head
 PX 12 H High head

Electric Motor

3-phase squirrel-cage induction motor, 50Hz.
 Service factor 1.1. Class F insulation.
 Max. power input P₁: 24 kW. Motor rating P₂: 21 kW.
 Speed: 2910 rpm

Voltage, V	230	400	500 - 550	690	1000
Nominal current, A	68	39	31.2	23	16

Starting Method

D.O.L. start with built-in contactor (1000 V with terminal block).
 D.O.L. start with built-in SoftDrive (400-460 V).
 Star-Delta start with built-in terminal block.
 When used with VFD, pump must be equipped with terminal block instead of contactor.

Power Cable

20 m type S1BN8-F (standard cable):
 4 x 4 sq.mm. (690 V DOL-start)
 4 x 10 sq.mm. (400-550 V DOL-start)
 4 x 16 sq.mm. (230 V DOL-start)
 10 x 2.5 sq.mm. (690 V star-delta start)
 2-4 x 6 sq.mm. + 4 x 1.5 sq.mm. (400-550 V star-delta start)
 2-4 x 10 sq.mm. + 4 x 1.5 sq.mm. (230 V star-delta start)
 20 m type NSSHÖU.../3E (heavy duty cable):
 3x6+3x6/3E+3x1.5 (3 control cables incl.) (690-1000 V DOL-start)
 3x10+3x10/3E+3x2.5 (3 control cables incl.) (400-550 V DOL-start)

Motor Protection

Built-in thermal switches in the stator windings (140°C, ±5), connected to built-in contactor, SoftDrive or to separate control box. DI leakage sensor as option, but not in combination with built-in contactor or SoftDrive.

Shaft Seal

Double mechanical seal in oil bath, mounted in seal cartridge for easy service.

Primary seal: Silicon carbide on silicon carbide
 Secondary seal: Silicon carbide on antimony treated carbon

Bearings

Upper bearing: Single-row deep groove ball bearing
 Lower bearing: Double angular contact ball bearing

Materials

		EN	ASTM
Casings, castings:	Aluminium	EN 1706: AC-43100	ASTM AISI10mg
Strainer, handle fasteners:	Stainless steel	10088: X5CrNi18-10 (1.4301)	AISI 304
Shaft:	Stainless steel	10088: X20Cr13 (1.4021)	AISI 420
Impeller:	White cast iron	EN-GJN-HV600 (XCr23)	ASTM A 532: Alloy III A
Wear parts, O-rings:	Nitrile rubber		

Discharge Connections

4" (standard H), 6" (standard N), 8" hose connections
 4", 6", 8" B.S.P. threaded connections

Weight (without cable)

155 kg

Options and Accessories

Zinc anodes. Surface protection coating
 Diffusers in polyurethane. Electronic motor supervision.
 Series connection. Starter and control units.
 Automatic level control unit. PumpFloater. Service kit
 Discharge connection accessories and hose

